

Main Features

- Wetted parts stainless steel 1.4571 (316Ti)
- Fixing flange for homogenizers
- Integrated damping element

Applications

- Food & Beverage

Description

This homogenizer diaphragm seals are used to protect pressure gauges from high temperatures, aggressive or corrosive fluids.

They avoid that the medium flows into the instrument, where deposits could be built and generate wrong measurements or pollution of the process.

The design is made to resist the high pressure and strong pulsations in homogenizer systems. An internal dampening element protects the measuring instrument.

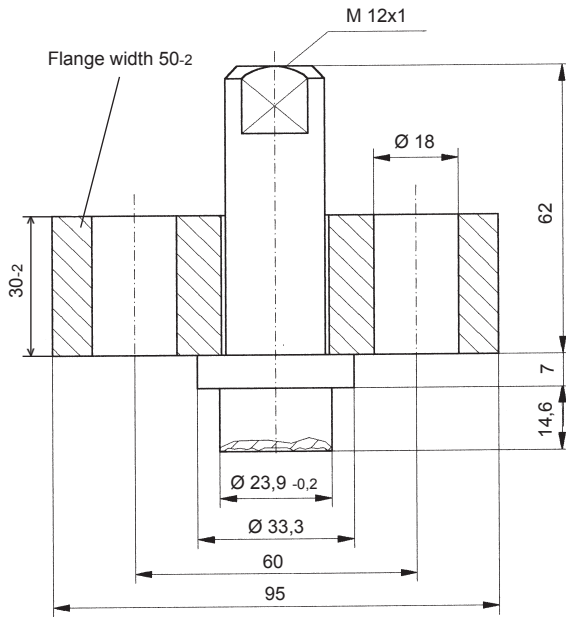
Chemical seal can be mounted to mechanical pressure gauges, switches or transmitters directly or with a cooling element. The filling fluid of the measuring system has to be chosen compatible to the application.

Process connection	Block flange for homogenizer
Pressure ranges	0 ... 100 bar to 0 ... 600 bar (see table below)
Body material	Stainless Steel 1.4571 (316Ti)
Diaphragm	Stainless Steel 1.4571 (316Ti)
Flange	Stainless Steel 1.4301 (304)
Working temperature	-60...200 °C (depending on the filling fluid)
Filling fluids	LRS1: Vaseline (-15 ... +150 °C) LRS10: Vaseline (-20 ... +225 °C) Other filling fluids on request

Ordering code / Minimum pressure ranges

Code	Instrument-connection	Pressure gauges		Transmitters	P max.
		NS 50-63 mm	NS 100-150-160 mm		
1005	M 12x1	0 ... 100 bar	0 ... 100 bar	0 ... 100 bar	600 bar

Dimensions



Ordering example

MEX	5	-	D	X	1	.	B31	/	1005	-	9007	-	0080	-	LRS1
-----	---	---	---	---	---	---	-----	---	------	---	------	---	------	---	------

Homogenizer diaphragm seal

Option: Adjustment at specific fluid temperature

Adjustment temperature: 80 °C

Filling fluid LRS1: Vaseline (-15 ... +150 °C)